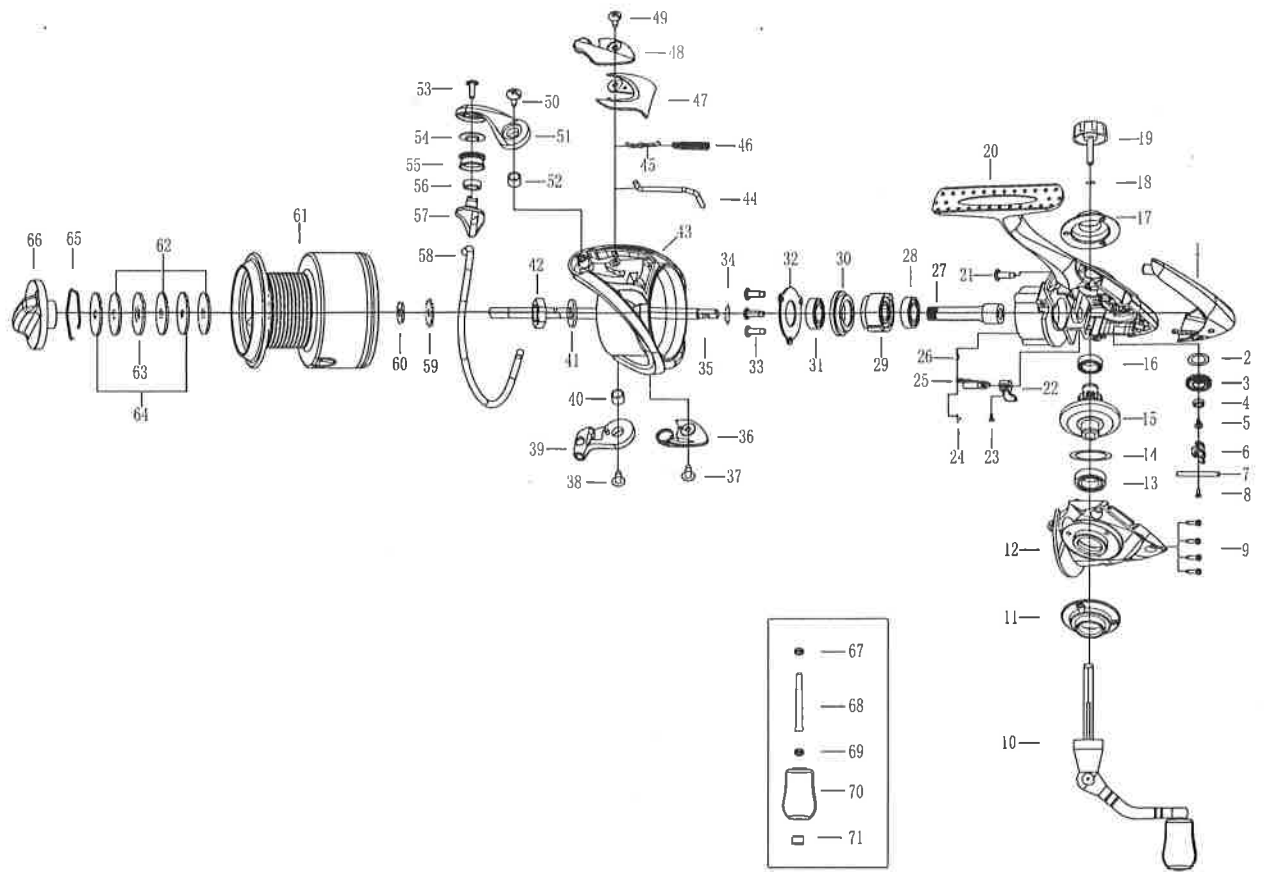


METALIE



NO.	ENGLISH	NO.	ENGLISH
1	Drag knob Assy	37	One way ball bearing
2	Spool stop ring	38	Pinion gear ball bearing-1
3	Drag washer	39	Pinion gear
4	Key washer	40	Anti reverse lever spring
5	Eared washer	41	Anti reverse lever
6	Spool	42	One way ball bearing spring
7	Click gear washer	43	Anti reverse lever screw
8	Spool click gear	44	Anti reverse lever knob
9	Bail	45	Body ball bearing
10	Bail screw cap	46	Drive gear
11	Line roller ball bearing	47	Drive gear washer
12	Line roller	48	Body cover ball bearing
13	Line roller washer	49	Body cover
14	Bail arm	50	Body cover logo plate
15	Line roller screw	51	Handle ass'y
16	Bail arm screw	52	Body cover screw
17	Bail arm bushing	53	Slider screw
18	Rotor nut	54	Slider fitting pin
19	Rotor nut washer	55	Slider
20	Bail holder bushing	56	Oscillation gear screw
21	Bail holder	57	Oscillation gear ball bearing
22	Bail holder screw	58	Oscillation gear
23	Bail holder cover screw	59	Oscillation gear washer
24	Bail holder cover	60	Body rear cove screw-1
25	Rotor	61	Body rear cover
26	Main shaft	62	Logo plate
27	Bail lever	63	Handle cap washer
28	Bail spring	64	Handle cap
29	Bail fulcrum	65	Body Rear cove screw-2
30	Bail arm cover screw	66	Body
31	Bail arm side cover	67	Handle
32	Pinion gear washer	68	Handle knob ball bearing-1
33	Pinion gear ball bearing plate screw	69	Rivet
34	Pinion gear ball bearing plate	70	Handle knob bushing
35	Pinion gear ball bearing-2	71	Handle knob
36	Pinion gear ball bearing bushing	72	knob cover